

BRIAN JAMES TRAILERS

» Connected to you



CARGO SHIFTER

Tough and uncompromised multi-purpose mover.

UNITED KINGDOM

CARGO SHIFTER



5 5 YEAR
CHASSIS
WARRANTY

CARGO SHIFTER
TOUGH AND UNCOMPROMISED
MULTI-PURPOSE MOVER

Brian James Trailers have created CarGO Shifter's every detail to deliver the ultimate performance and operating benefit. Strong but light is one of the main attractions of Brian James Trailers' design. In use it becomes immediately apparent just how capable the Shifter is.

Durability is without question, function with no equals. Spoilt for choice in sizes and configurations, the CarGO Shifter has every chance of becoming an important part of your daily operation.



CARGO SHIFTER.

CARGO SHIFTER

CARGO SHIFTER MOVING EXPECTATIONS.

As with all **Brian James Trailers**, the **CarGO Shifter** enjoys a reputation for being easy to load and tow.

To achieve this the team focused on the chassis where strength and tow-ability are defined. By selecting high specification steels for fabrication, the chassis has been made strong and light.

Clever chassis design also supports the tough phenolic deck along its full length, which allows heavy items such as rollers to be transported. The extra support extends the life span of the trailer.



○ Removable **high mesh sides** are a popular option for carrying bulky loads. The individual panels unclip with minimal effort and are designed to maximise strength with minimum weight.

● The robust **running gear** features class leading running gear equipment manufactured by AL-KO, a fully independent suspension. Sealed bearings require minimum maintenance.

The **Shifter** is a capable general purpose trailer.

● Machinery security has been catered for with many unique **tie-down points**, highlighting inherent versatility. Innovative **rope hooks** and **slots** are cut into the **chassis**. It is multiple-hook compatible and totally silent when travelling.

● **Non slip side-steps** are another **CarGO Shifter** feature allowing easy side access and forms pedestrian safety guards.

● The **anti slip deck** is standard. The tough and durable phenolic bonded industrial plywood has a mesh grip pattern surface. The super strong deck design with central steel section ensures that heavy loads will not damage the integrity of the bed.





CARGO SHIFTER.

CARGO SHIFTER

CARGO SHIFTER

WHAT YOU NEED.



- The **tail ramp** is operated with a powerful gas spring. Minimal effort is required to lift or lower the ramp.

- **Rear load support stand bar** fixed to the ramp. Standard on single axle.

- **Number plate holder** provides quick release facility, without fasteners.

- **Mudguards** are fully integrated into the chassis for durability. High grip surface offers operator safety.

- **Side steps** on each available corner assist operators to work around the trailer safely and conveniently.



- **Heavy duty mesh tail ramp** with aluminium checker plate lower section provides the best combination of easy operation, low loading angle, limited wind resistance and exceptional durability.

- **Reinforced anti slip deck** ensures that destructive equipment such as rollers will not cause damage.

- **Rope hooks / slots.** Multiple attachment points along both sides and front for securing loads with ropes.

- **Cast steel head.**
Integrated coupling lock.
- **Jockey wheel**
heavy duty jockey wheel.



● **Rear lamps** are well protected from damage in steel housings. Fully type approved installation to EEC standard.

● **ACME thread clamps.** Silent locked – the loading tail ramp is held in place with secure clamp fasteners. A rubber buffer is part of the system and provides damping for quiet travel.



○ **Removable high mesh sides** add 0.80m to the height of the sides. These are a popular option for carrying bulky loads. The individual extension panels unclip with minimal effort and are designed to maximise strength with minimum weight.

● **Low chassis** means low loading angles, plus an inherent stability with a low centre of gravity for heavy loads.

● Ramp features **handles** on each side.

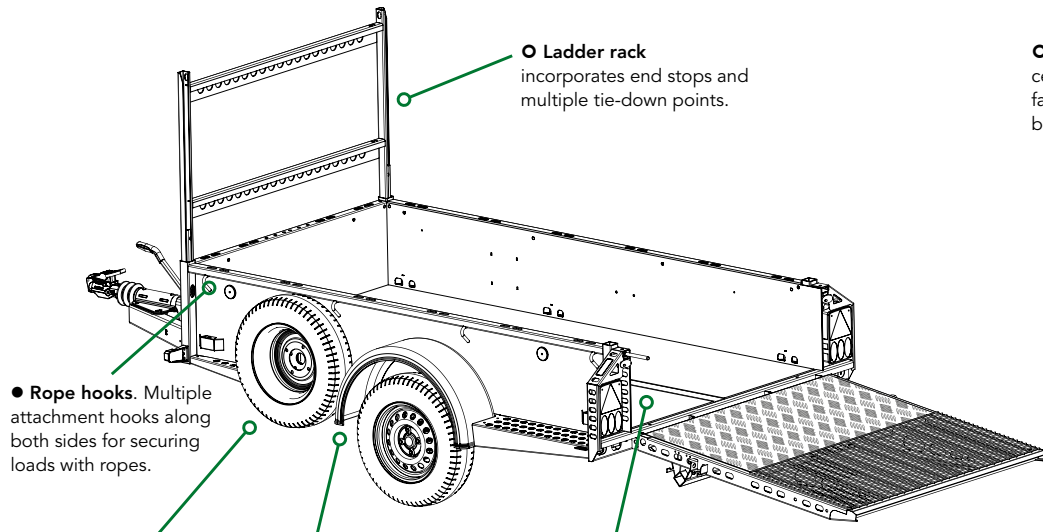


● **Front marker lamps.** Fully type approved lighting installation to EEC standard.

CARGO SHIFTER

CARGO SHIFTER

FULLY EQUIPPED.



● **Ladder rack**
incorporates end stops and
multiple tie-down points.

● **Rope hooks.** Multiple
attachment hooks along
both sides for securing
loads with ropes.

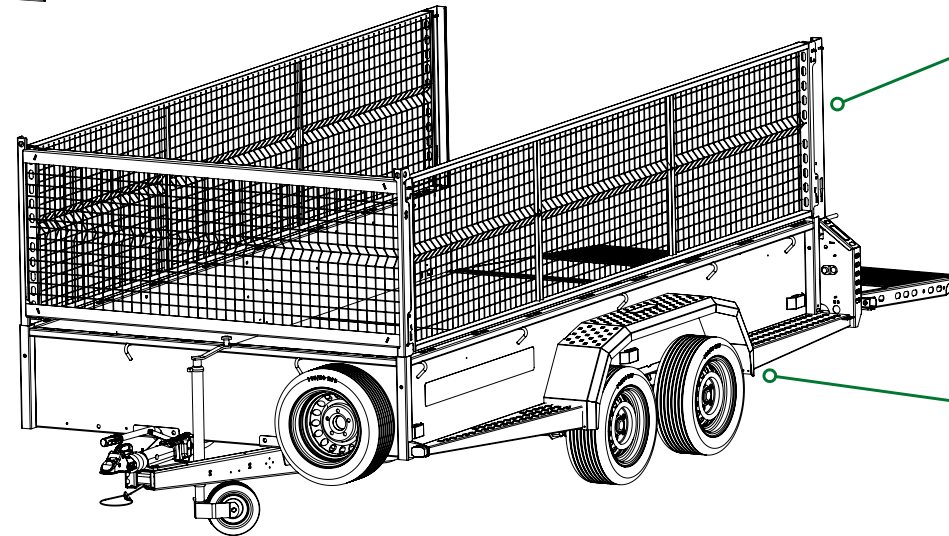
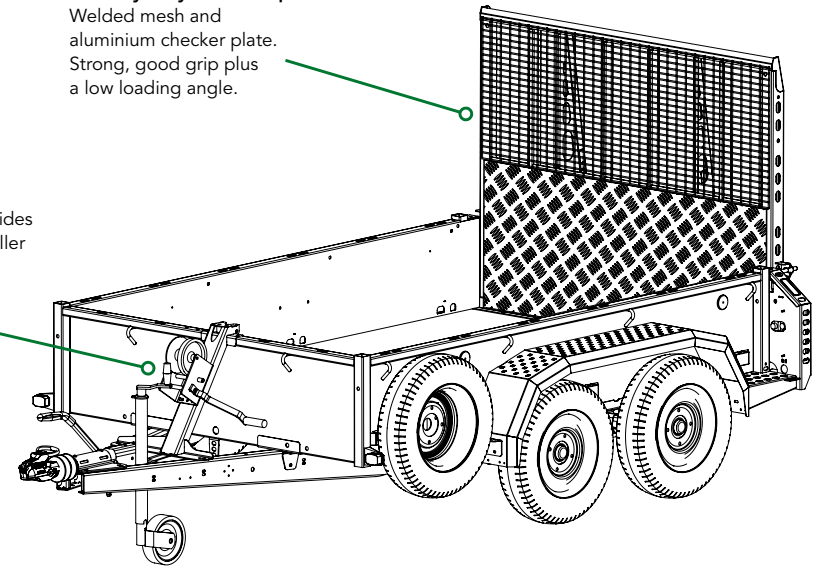
● **165 6pr wheel / tyre**
side mounted spare.

● **Single axle model.**
High impact polyethylene
mudguard.

● **Anti slip deck.**
Tough and durable phenolic
bonded industrial plywood
has a mesh grip pattern
surface. A super strong
deck design with central
steel section ensures
that heavy loads will not
damage the integrity
of the bed.

● **Heavy duty mesh ramp.**
Welded mesh and
aluminium checker plate.
Strong, good grip plus
a low loading angle.

○ **Manual winch** provides
central pull through roller
fairlead. 2 speed with
brake and steel cable.



○ **Removable high mesh sides**
add 0.80m to the height of the
sides. These are a popular
option for carrying bulky loads.
The individual extension panels
unclip with minimal effort and
are designed to maximise
strength with minimum weight.

● **Mudguards and side steps**
are integrated into the chassis
for durability. High grip punched
surface offers operator safety.
(Twin axles.)

TECHNICAL INFORMATION.

LOAD BED LENGTH m	2.50				3.10				3.70		4.00	
CAPACITY												
Gross kg	1,300	1,300	1,500	1,500	2,600	2,600	2,600	2,600	3,000	3,000	3,500	3,500
Load kg	850	850	1,050	1,050	2,030	2,030	1,970	1,950	2,350	2,350	2,800	2,700
DIMENSIONS												
Internal bed width m	1.30	1.60	1.30	1.60	1.30	1.60	1.60	1.85	1.60	1.85	1.85	1.85
Overall trailer width m	1.82	2.12	1.82	2.12	1.82	2.12	2.12	2.30	2.12	2.30	2.30	2.30
Overall trailer length m	3.92	3.92	3.92	3.77	3.95	3.94	4.37	4.44	4.37	5.06	5.06	5.33
Bed load height m	0.39	0.39	0.39	0.39	0.39	0.39	0.39	0.39	0.39	0.39	0.39	0.39
RUNNING GEAR AND SECURITY												
Axles	1	1	1	1	2	2	2	2	2	2	2	2
Wheel / Tyre size	13" (165 6pr)	13" (165 6pr)	13" (195/50)	13" (195/50)	13" (165 6pr)	13" (165 6pr)	13" (165 6pr)	13" (165 6pr)	13" (195/50)	13" (195/50)	13" (195/50)	13" (195/50)
Sealed wheel bearings	●	●	●	●	●	●	●	●	●	●	●	●
Spare wheel	●	●	●	●	●	●	●	●	●	●	●	●
Tie-down anchor points (internal)	6 points	6 points	6 points	6 points	6 points	6 points	6 points	6 points	6 points	6 points	6 points	8 points
Tie-down straps x 4	○	○	○	○	○	○	○	○	○	○	○	○
Wheels-Safety kit – torque wrench + digital tyre pressure gauge	○	○	○	○	○	○	○	○	○	○	○	○
Cast steel coupling head with integral high security lock	●	●	●	●	●	●	●	●	●	●	●	●
Datatag – Security identification system	○	○	○	○	○	○	○	○	○	○	○	○
BED AND REAR LOADING												
Phenol ply anti slip, reinforced deck	●	●	●	●	●	●	●	●	●	●	●	●
Aluminium tread plate bed lining	○	○	○	○	○	○	○	○	○	○	○	○
Aluminium + mesh tail ramp + gas spring assistance	●	●	●	●	●	●	●	●	●	●	●	●
Rear load support stand (bar)	●	●	●	●	○	○	○	○	○	○	○	○
SIDE OPTIONS												
High mesh side extensions 0.80m (removable)	○	○	○	○	○	○	○	○	○	○	○	○
Ladder rack	○	○	○	○	○	○	○	○	○	○	○	○
WINCH												
Manual winch 2 speed + brake	○	○	○	○	○	○	○	○	○	○	○	○
PRODUCTS												
Product code	500-0000	500-0010	500-0100	500-0110	500-0200	500-0210	500-1200	500-1220	500-1400	500-2400	500-2600	500-3600

CARGO SHIFTER

QUALITY

Brian James Trailers are manufacturers of class leading trailers, since 1979. When you buy a Brian James Trailer you can be absolutely certain that it is designed and constructed to the highest possible standards. Our Engineers combine top-quality craftsmanship with the best materials and first-class presentation. Light but strong, our trailers are crafted to enhance safety, efficiency and durability.

5 Year Chassis Warranty

This Brian James Trailer is provided to you with a non-transferable manufacturers warranty covering the integrity of the chassis for a period of 5 years from the date of first registration.

We warrant that under normal use, outside of accident damage or misuse (meaning driven across unsuitable territory or being overloaded) the chassis will not fatigue or fail to be able to perform its intended duties safely.

Any repair or rectification as a result of a claim under this warranty will be at Brian James Trailers cost and be carried out either at a Brian James Trailers main dealer, or at the factory HQ in Daventry, UK, at the discretion of Brian James Trailers Ltd. A repair may involve removal of the original galvanised surface finish, for which we will not liable to reinstate to its original state.

Brian James Trailers will not be liable for any consequential loss in connection with a claim on this warranty, including recovery fees or transport to or from the place of final repair.



CARGO SHIFTER TRAILER
GO CONFIGURE TO YOUR NEEDS





CARGO SHIFTER.

BRIAN JAMES TRAILERS

» Connected to you

NOTES

Specifications are subject to change without notice.
Illustrations and photography may depict optional
equipment.

www.brianjames.co.uk

© BRIAN JAMES TRAILERS LIMITED.
Printed in the UK.

Edition CARGOSHFT2016_Q1_1

Brian James Trailers Limited.
Sopwith Way, Drayton Fields Industrial Estate
Daventry, Northampton, NN11 8PB

T + 44 (0)1327 308 833

Brian James Trailers are available by contacting our sales team as well as
through an extensive network of official dealers throughout the country.

For more information please call or visit our website.

www.brianjames.co.uk

Dealer information.

